



# LH621

## 10.7M<sup>3</sup> BUCKET

### BG01493000 - MAKO

#### TECHNICAL SPECIFICATION

#### RELIABLE, PROVEN AND PRODUCTIVE

Sandvik buckets are reliable, robust and proven to perform in underground hard rock applications. The advanced design provides good penetration of the muck pile, optimizes material flow during dumping and is constructed of wear resistant reinforced steel to extend the bucket's lifetime.

#### FAST BUCKET FILLING

Sandvik buckets are designed with Sandvik's smart boom geometry in mind to provide the highest in class breakout forces for fast bucket filling and handling of oversized rocks. The powerful boom and bucket hydraulics combined with smart geometry enable the use of both lift and tilt functions simultaneously when penetrating to the muck pile, making one-pass bucket filling easy and contributing to high fill-factors.

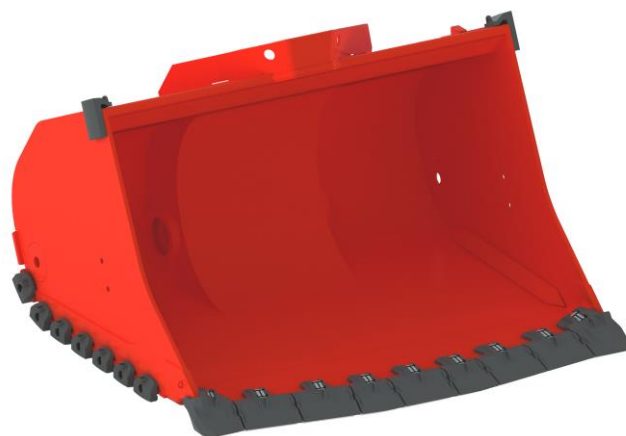
#### LOWER BUCKET MAINTENANCE COSTS AND REDUCED DOWN TIME WITH GENUINE SANDVIK ACCESSORIES

Mako™ is a next-generation patented lip protection system designed specifically for the toughest of mining conditions. The 50mm Mako™ system's optimised design and tougher materials boost bucket productivity by 40 per cent compared to predecessor GET systems. It delivers a 400-percent longer life than a bare lip.

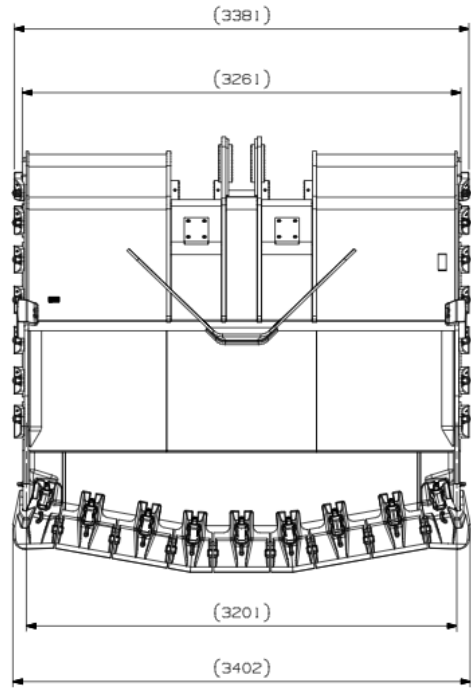
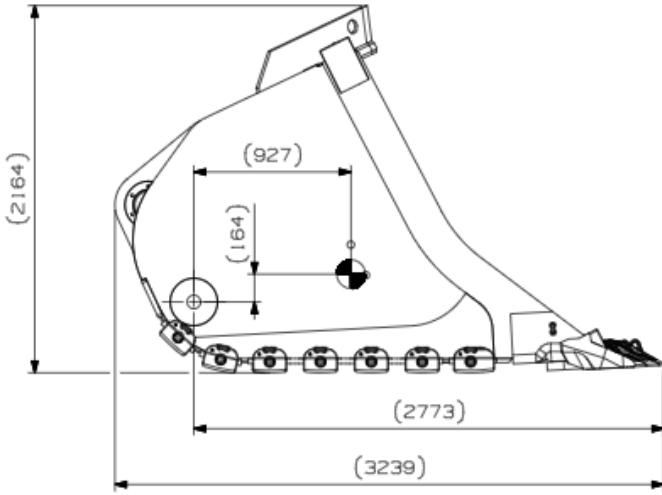
- Constructed from Sandvik SS5000 steel alloy for increased hardness and added mechanical strength.
- Single cartridge locking-and-removal system.
- Structurally improved cast corners.
- Innovative shroud lifting device for safer workshops.
- Top and bottom wear indicators for ease of inspection.
- Straight and corner shrouds optimised for 1:1 wear life, eliminating the need for half-life change-outs of corners. (\*)
- Shroud top leg enhanced for material flow when dumping.
- Optimised design and materials increase wear life by 16 per cent over predecessor.
- Shroud width altered to optimise and reduce number of parts.

#### KEY FEATURES

Part Number	BG01493000
Suits Machine	Sandvik LH621
Description	Mako Bucket
Bucket Capacity	10.7 m <sup>3</sup>
Width	3402 mm
Weight	7325 kg
Standard Factory Fitment	No, Option
Lip Fitment	Mako
Profile Bar	Yes
Max. Material Broken Density	1700 kg/m <sup>3</sup>
Heel Shrouds	Yes, Mechanical



**DETAILED SPECIFICATIONS**



**COMPONENTS DETAIL**

QTY	PART NO.	PART DESCRIPTION
1	<b>BG01493000</b>	<b>10.7m<sup>3</sup> Mako Bucket</b>
9	BU00081000	50mm Mako Pin Assembly
5	BC00003413	50mm Mako Straight Shroud
2	BC00003414	50mm Mako Transition Shroud
1	BC00003415	50mm Mako Left Hand Corner Shroud
1	BC00003416	50mm Mako Right Hand Corner Shroud
6	69044154	Left Hand Mechanical Heel Shroud
6	69044155	Right Hand Mechanical Heel Shroud
1	69044156	Left Hand Leading Mechanical Heel Shroud
1	69044157	Right Hand Leading Mechanical Heel Shroud
7	69043686	Mechanical Heel Shroud Nut Kit L/H
7	69043687	Mechanical Heel Shroud Nut Kit R/H
1	BG01750099	Plate Profile Bar



Sandvik Mining and Rock Solutions reserves the right to make changes to the information on this data sheet without prior notification to users.

Please contact a Sandvik representative for clarification on specifications and options.