

SANDVIK

LH517

9.1M³ BUCKET

BG01129282 - HALF ARROW

TECHNICAL SPECIFICATION

RELIABLE, PROVEN AND PRODUCTIVE

Sandvik buckets are reliable, robust and proven to perform in underground hard rock applications. The advanced design provides good penetration of the muck pile, optimizes material flow during dumping and is constructed of wear resistant reinforced steel to extend the bucket's lifetime.

FAST BUCKET FILLING

Sandvik buckets are designed with Sandvik's smart boom geometry in mind to provide the highest in class breakout forces for fast bucket filling and handling of oversized rocks. The powerful boom and bucket hydraulics combined with smart geometry enable the use of both lift and tilt functions simultaneously when penetrating to the muck pile, making one-pass bucket filling easy and contributing to high fill-factors.

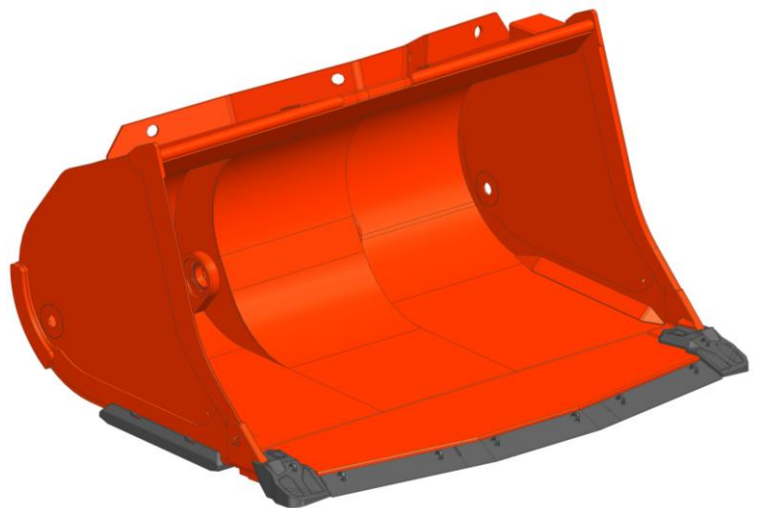
LOWER BUCKET MAINTENANCE COSTS AND REDUCED DOWN TIME WITH GENUINE SANDVIK ACCESSORIES

Sandvik GET's Half Arrow weld-on lip system for continuous edge underground loaders has been specifically designed to provide maximum penetration while maximising the amount of available wear material.

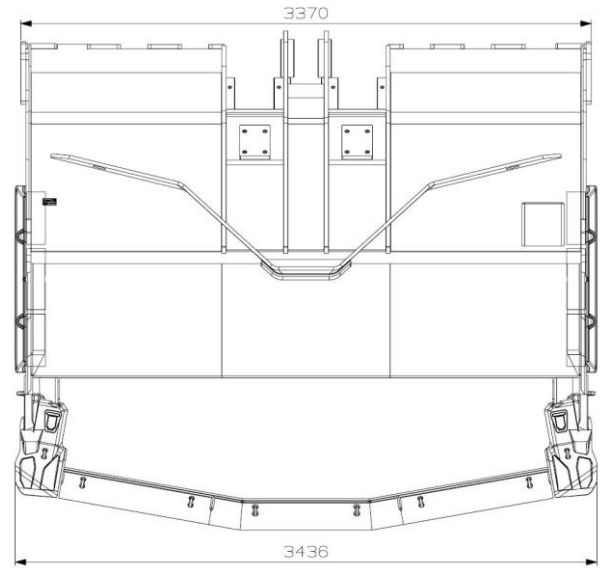
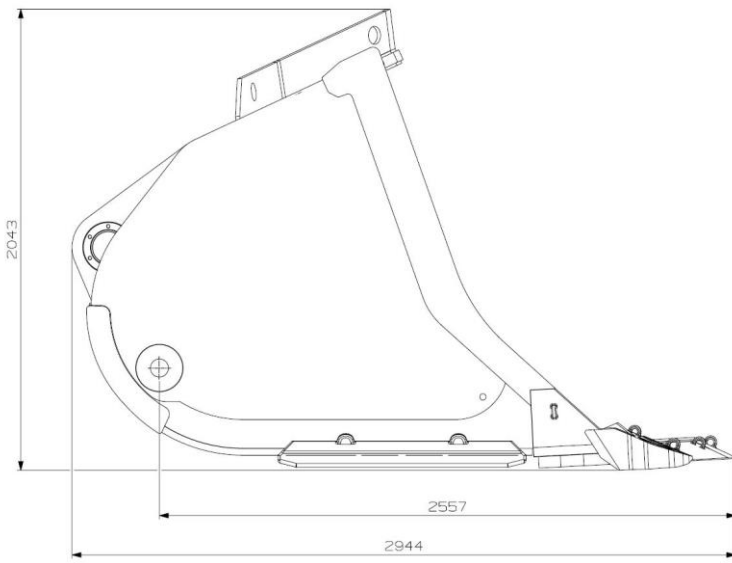
- High penetration edges reduce machine related costs such as fuel and tyre usage
- High strength, high hardness alloy provides high resistance to wear
- Efficient design ensures maximum available wear material and minimum throwaway material.

KEY FEATURES

Part Number	BG01129282
Suits Machine	Sandvik LH517
Description	Half Arrow Bucket
Bucket Capacity	9.1 m ³
Width	3436 mm
Weight	5674 kg
Standard Factory Fitment	No, Option
Lip Fitment	Half Arrow
Profile Bar	Yes
Max. Material Broken Density	1700 kg/m ³
Heel Shrouds	Yes



DETAILED SPECIFICATIONS



COMPONENTS DETAIL

QTY	PART NO.	PART DESCRIPTION
1	BG01129282	9.1m³ Half Arrow Bucket
2	69039955	50mm Blue Pointer II Pin Assembly
1	BU00010963	Ext 50mm Right Hand Corner Shroud
1	BU00012677	Ext 50mm Left Hand Corner Shroud
2	69037844	H/D Half Arrow - 1150mm
1	69043430	HD Half Arrow Semi Spade Transition



Sandvik Mining and Rock Solutions reserves the right to make changes to the information on this data sheet without prior notification to users.

Please contact a Sandvik representative for clarification on specifications and options.

ROCKTECHNOLOGY.SANDVIK

