

SANDVIK**LH621****14.0M³ BUCKET****56047353 - BARE LIP**

TECHNICAL SPECIFICATION

RELIABLE, PROVEN AND PRODUCTIVE

Sandvik buckets are reliable, robust and proven to perform in underground hard rock applications. The advanced design provides good penetration of the muck pile, optimizes material flow during dumping and is constructed of wear resistant reinforced steel to extend the bucket's lifetime.

FAST BUCKET FILLING

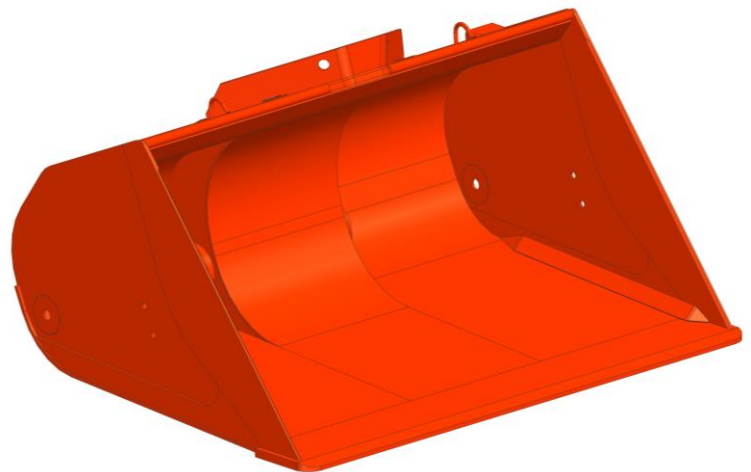
Sandvik buckets are designed with Sandvik's smart boom geometry in mind to provide the highest in class breakout forces for fast bucket filling and handling of oversized rocks. The powerful boom and bucket hydraulics combined with smart geometry enable the use of both lift and tilt functions simultaneously when penetrating to the muck pile, making one-pass bucket filling easy and contributing to high fill-factors.

LOWER BUCKET MAINTENANCE COSTS AND REDUCED DOWN TIME WITH GENUINE SANDVIK ACCESSORIES

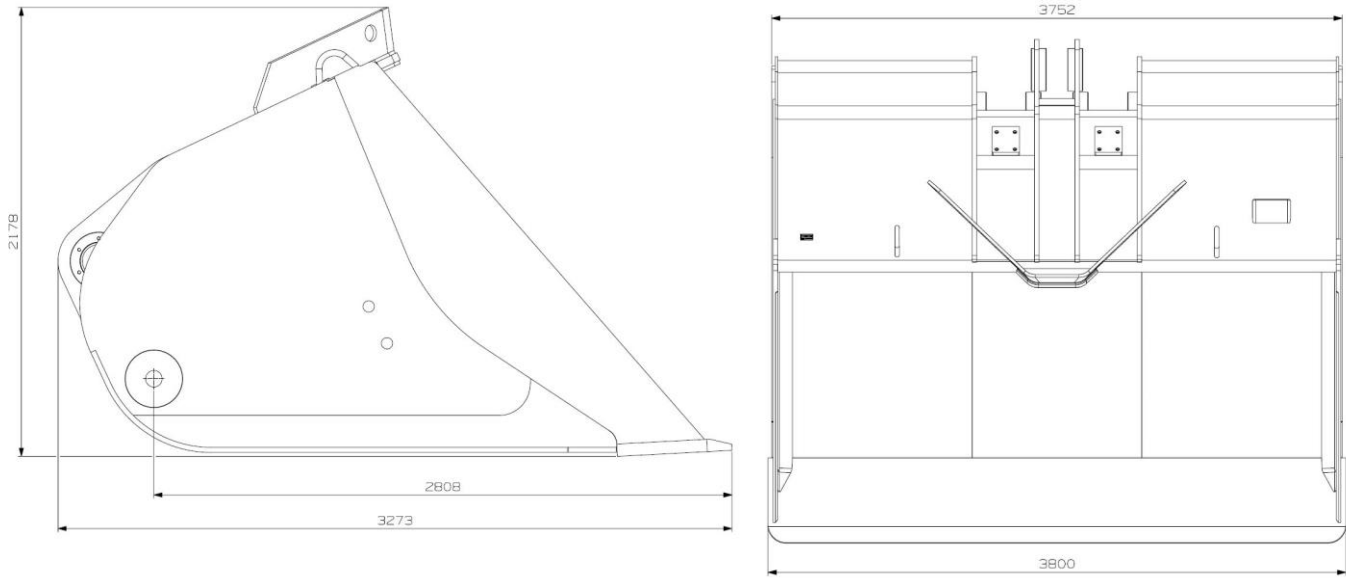
- * Utilising best in class materials.
- * Reduced weight for maximum material movement.
- * Optimised for very low abrasivity environments.

KEY FEATURES

Part Number	56047353
Suits Machine	Sandvik LH621
Description	Bare Lip Bucket
Bucket Capacity	14.0 m ³
Width	3800 mm
Weight	7197 kg
Standard Factory Fitment	No, Option
Lip Fitment	Bare Lip
Profile Bar	No
Max. Material Broken Density	1300 kg/m ³
Heel Shrouds	No



DETAILED SPECIFICATIONS



COMPONENTS DETAIL

QTY	PART NO.	PART DESCRIPTION
1	56047353	14.0m ³ Bare Lip Bucket



Sandvik Mining and Rock Solutions reserves the right to make changes to the information on this data sheet without prior notification to users.

Please contact a Sandvik representative for clarification on specifications and options.

ROCKTECHNOLOGY.SANDVIK

